



## PAC50

Turns pressure into colors

**PRESSURE SENSORS**

**SICK**  
Sensor Intelligence.



### Technical data overview

<b>Device type</b>	Pressure switch
<b>Measuring ranges</b>	Gauge pressure -1 bar ... 0 bar; -1 bar ... +1 bar; 0 bar ... +6 bar; 0 bar ... +10 bar; -1 bar ... 10 bar
<b>Accuracy</b>	≤ ± 1.5 % of the span
<b>Setting accuracy of switching outputs</b>	≤ ± 0.2 % of span
<b>Output signal</b>	Configurable switching outputs PNP, NPN or push-pull analog output signal plus optional IO-Link
<b>Electrical connection</b>	Round connector M12 x 1



### Product description

For improved monitoring of air pressure, the PAC50 electronic pressure switch from SICK offers more at a glance – the large bi-color display allows you to identify from a distance if the pressure falls within the target range. Three large function keys and intuitive menu navigation make operating the PAC50 easy.

What makes the PAC50 so special? It offers up to two digital switching outputs and an optional analog output in just one device. The output signals can be easily adjusted to the available control system. Thanks to the optional IO-Link, the controller or PLC can quickly and accurately pass the device parameters to the sensor when changing the format or replacing the sensor, which significantly reduces downtime. The PAC50 is ideal for use in industrial environments due to its waterproof housing with an IP 65/ IP 67 enclosure rating.

### At a glance

- Large display shows system pressure, output states, and switching points
- Three large function keys, intuitive menu navigation
- Measuring range for gauge pressure (vacuum and overpressure)
- Two independently programmable switching outputs, optional analog output
- Installation on mounting rail, wall or switch panel
- Variant for leakage monitoring
- IO-Link

### Your benefits

- Bi-color display (green/red) clearly shows the status of the output signal (within or outside the target range)
- Quick overview of important system parameters due to advanced display functions
- Intuitive operation allows simple and quick commissioning
- Pressure connections on the back and bottom and configurable output signals for a high level of installation flexibility
- High reliability thanks to the rugged design (IP65 and IP67 enclosure rating) and proven technology
- Less variants for different requirements and lower inventory costs
- Convenient, cost-effective solution for leakage measurement

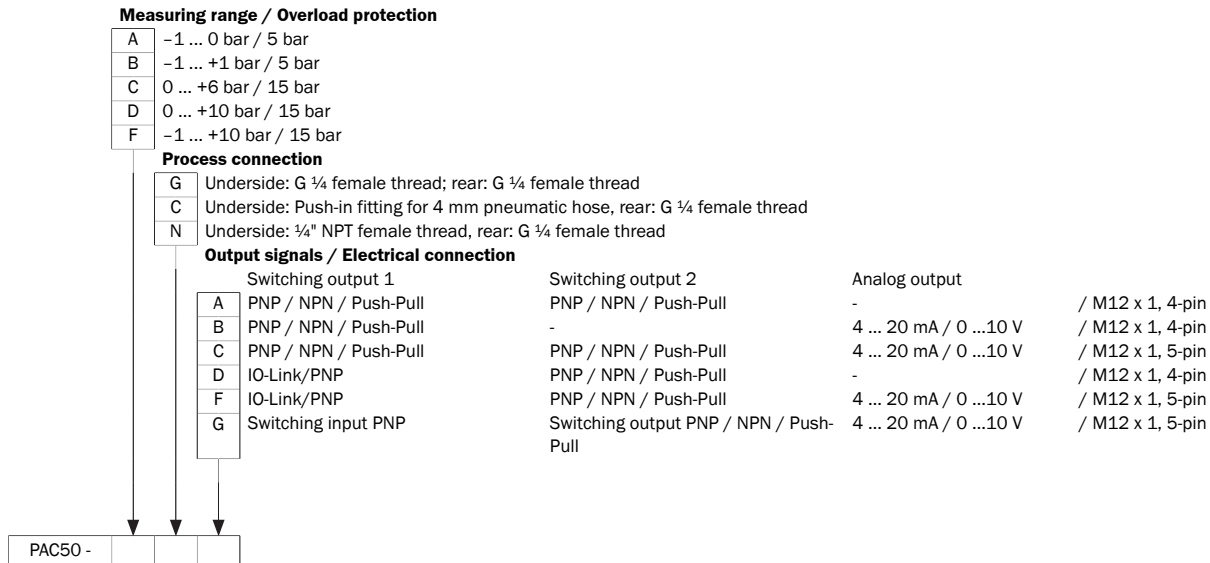
### Fields of application

- Compressed-air monitoring and measurement in machines and systems
- Pressure measurement in air and in dry, non-corrosive gases
- Pressure measurement on compressed-air maintenance units
- Vacuum monitoring in handling and robotics applications
- Leakage monitoring in closed compressed air systems

## Type code

Other models and accessories → [www.sick.com/PAC50](http://www.sick.com/PAC50)

### Type code



Not all variants of the type code can be combined!

### Ordering information

Other models and accessories → [www.sick.com/PAC50](http://www.sick.com/PAC50)

- **Measuring range:** -1 bar ... 0 bar
- **Overpressure safety:** 5 bar
- **Accuracy:** ≤ ± 1.5 % of the span
- **Process connection:** 2 x G ¼
- **Process temperature:** 0 °C ... +60 °C
- **Output signal:** 2 x PNP/NPN/Push-Pull
- **Connection type:** M12 round connector x 1, 4-pin
- **Product family group:** Pressure sensors
- **Product family:** PAC50
- **Medium:** Dry compressed air

Electrical connection	Process temperature	Housing material	Enclosure rating	Type	Part no.
M12 round connector x 1, 4-pin	0 °C ... +60 °C, 0 °C +60 °C, 0 °C +60 °C	Housing: polycarbonate, Buttons: TPE, DIN rail mounting: POM, seals: NBR	IP65 / IP67	PAC50-AGA	1062945

- **Measuring range:** -1 bar ... 1 bar
- **Overpressure safety:** 5 bar
- **Accuracy:** ≤ ± 1.5 % of the span
- **Process connection:** 2 x G ¼
- **Process temperature:** 0 °C ... +60 °C
- **Output signal:** 2 x PNP/NPN/Push-Pull
- **Connection type:** M12 round connector x 1, 4-pin
- **Product family group:** Pressure sensors
- **Product family:** PAC50
- **Medium:** Dry compressed air

Electrical connection	Process temperature	Housing material	Enclosure rating	Type	Part no.
M12 round connector x 1, 4-pin	0 °C ... +60 °C, 0 °C +60 °C, 0 °C +60 °C	Housing: polycarbonate, Buttons: TPE,	IP65 / IP67	PAC50-BGA	1062958

Electrical connection	Process temperature	Housing material	Enclosure rating	Type	Part no.
		DIN rail mounting: POM, seals: NBR			

- **Measuring range:** 0 bar ... 6 bar
- **Overpressure safety:** 15 bar
- **Accuracy:**  $\leq \pm 1.5$  % of the span
- **Process connection:** 2 x G 1/4
- **Process temperature:** 0 °C ... +60 °C
- **Output signal:** 2 x PNP/NPN/Push-Pull
- **Connection type:** M12 round connector x 1, 4-pin
- **Product family group:** Pressure sensors
- **Product family:** PAC50
- **Medium:** Dry compressed air

Electrical connection	Process temperature	Housing material	Enclosure rating	Type	Part no.
M12 round connector x 1, 4-pin	0 °C ... +60 °C, 0 °C +60 °C, 0 °C +60 °C	Housing: polycarbonate, Buttons: TPE, DIN rail mounting: POM, seals: NBR	IP65 / IP67	PAC50-CGA	1062970

- **Measuring range:** 0 bar ... 10 bar
- **Overpressure safety:** 15 bar
- **Accuracy:**  $\leq \pm 1.5$  % of the span
- **Process connection:** 2 x G 1/4
- **Process temperature:** 0 °C ... +60 °C
- **Output signal:** 2 x PNP/NPN/Push-Pull
- **Connection type:** M12 round connector x 1, 4-pin
- **Product family group:** Pressure sensors
- **Product family:** PAC50
- **Medium:** Dry compressed air

Electrical connection	Process temperature	Housing material	Enclosure rating	Type	Part no.
M12 round connector x 1, 4-pin	0 °C ... +60 °C, 0 °C +60 °C, 0 °C +60 °C	Housing: polycarbonate, Buttons: TPE, DIN rail mounting: POM, seals: NBR	IP65 / IP67	PAC50-DGA	1062983

- **Measuring range:** -1 bar ... 10 bar
- **Overpressure safety:** 15 bar
- **Accuracy:**  $\leq \pm 1.5$  % of the span
- **Process connection:** 2 x G 1/4
- **Process temperature:** 0 °C ... +60 °C
- **Output signal:** 2 x PNP/NPN/Push-Pull
- **Connection type:** M12 round connector x 1, 4-pin
- **Product family group:** Pressure sensors
- **Product family:** PAC50
- **Medium:** Dry compressed air

Electrical connection	Process temperature	Housing material	Enclosure rating	Type	Part no.
M12 round connector x 1, 4-pin	0 °C ... +60 °C, 0 °C +60 °C, 0 °C +60 °C	Housing: polycarbonate, Buttons: TPE, DIN rail mounting: POM, seals: NBR	IP65 / IP67	PAC50-FGA	1077855

- **Measuring range:** -1 bar ... 0 bar
- **Overpressure safety:** 5 bar
- **Accuracy:**  $\leq \pm 1.5$  % of the span
- **Process connection:** 2 x G ¼
- **Process temperature:** 0 °C ... +60 °C
- **Output signal:** PNP/NPN/Push-Pull + 4 mA ... 20 mA / 0 V ... 10 V
- **Connection type:** M12 round connector x 1, 4-pin
- **Product family group:** Pressure sensors
- **Product family:** PAC50
- **Medium:** Dry compressed air

Electrical connection	Process temperature	Housing material	Enclosure rating	Type	Part no.
M12 round connector x 1, 4-pin	0 °C ... +60 °C, 0 °C +60 °C, 0 °C +60 °C	Housing: polycarbonate, Buttons: TPE, DIN rail mounting: POM, seals: NBR	IP65 / IP67	PAC50-AGB	1062946

- **Measuring range:** -1 bar ... 1 bar
- **Overpressure safety:** 5 bar
- **Accuracy:**  $\leq \pm 1.5$  % of the span
- **Process connection:** 2 x G ¼
- **Process temperature:** 0 °C ... +60 °C
- **Output signal:** PNP/NPN/Push-Pull + 4 mA ... 20 mA / 0 V ... 10 V
- **Connection type:** M12 round connector x 1, 4-pin
- **Product family group:** Pressure sensors
- **Product family:** PAC50
- **Medium:** Dry compressed air

Electrical connection	Process temperature	Housing material	Enclosure rating	Type	Part no.
M12 round connector x 1, 4-pin	0 °C ... +60 °C, 0 °C +60 °C, 0 °C +60 °C	Housing: polycarbonate, Buttons: TPE, DIN rail mounting: POM, seals: NBR	IP65 / IP67	PAC50-BGB	1062959

- **Measuring range:** 0 bar ... 6 bar
- **Overpressure safety:** 15 bar
- **Accuracy:**  $\leq \pm 1.5$  % of the span
- **Process connection:** 2 x G ¼
- **Process temperature:** 0 °C ... +60 °C
- **Output signal:** PNP/NPN/Push-Pull + 4 mA ... 20 mA / 0 V ... 10 V
- **Connection type:** M12 round connector x 1, 4-pin
- **Product family group:** Pressure sensors
- **Product family:** PAC50
- **Medium:** Dry compressed air

Electrical connection	Process temperature	Housing material	Enclosure rating	Type	Part no.
M12 round connector x 1, 4-pin	0 °C ... +60 °C, 0 °C +60 °C, 0 °C +60 °C	Housing: polycarbonate, Buttons: TPE, DIN rail mounting: POM, seals: NBR	IP65 / IP67	PAC50-CGB	1062971

- **Measuring range:** 0 bar ... 10 bar
- **Overpressure safety:** 15 bar
- **Accuracy:**  $\leq \pm 1.5$  % of the span
- **Process connection:** 2 x G  $\frac{1}{4}$
- **Process temperature:** 0 °C ... +60 °C
- **Output signal:** PNP/NPN/Push-Pull + 4 mA ... 20 mA / 0 V ... 10 V
- **Connection type:** M12 round connector x 1, 4-pin
- **Product family group:** Pressure sensors
- **Product family:** PAC50
- **Medium:** Dry compressed air

Electrical connection	Process temperature	Housing material	Enclosure rating	Type	Part no.
M12 round connector x 1, 4-pin	0 °C ... +60 °C, 0 °C +60 °C, 0 °C +60 °C	Housing: polycarbonate, Buttons: TPE, DIN rail mounting: POM, seals: NBR	IP65 / IP67	PAC50-DGB	1062984

- **Measuring range:** -1 bar ... 10 bar
- **Overpressure safety:** 15 bar
- **Accuracy:**  $\leq \pm 1.5$  % of the span
- **Process connection:** 2 x G  $\frac{1}{4}$
- **Process temperature:** 0 °C ... +60 °C
- **Output signal:** PNP/NPN/Push-Pull + 4 mA ... 20 mA / 0 V ... 10 V
- **Connection type:** M12 round connector x 1, 4-pin
- **Product family group:** Pressure sensors
- **Product family:** PAC50
- **Medium:** Dry compressed air

Electrical connection	Process temperature	Housing material	Enclosure rating	Type	Part no.
M12 round connector x 1, 4-pin	0 °C ... +60 °C, 0 °C +60 °C, 0 °C +60 °C	Housing: polycarbonate, Buttons: TPE, DIN rail mounting: POM, seals: NBR	IP65 / IP67	PAC50-FGB	1077856

- **Measuring range:** -1 bar ... 0 bar
- **Overpressure safety:** 5 bar
- **Accuracy:**  $\leq \pm 1.5$  % of the span
- **Process connection:** 2 x G  $\frac{1}{4}$
- **Process temperature:** 0 °C ... +60 °C
- **Output signal:** 2 x PNP/NPN/Push-Pull + 4 mA ... 20 mA / 0 V ... 10 V
- **Connection type:** round connector M12 x 1, 5-pin
- **Product family group:** Pressure sensors
- **Product family:** PAC50
- **Medium:** Dry compressed air

Electrical connection	Process temperature	Housing material	Enclosure rating	Type	Part no.
Round connector M12 x 1, 5-pin	0 °C ... +60 °C, 0 °C +60 °C, 0 °C +60 °C	Housing: polycarbonate, Buttons: TPE, DIN rail mounting: POM, seals: NBR	IP65 / IP67	PAC50-AGC	1062947

- **Measuring range:** -1 bar ... 1 bar
- **Overpressure safety:** 5 bar
- **Accuracy:**  $\leq \pm 1.5$  % of the span
- **Process connection:** 2 x G ¼
- **Process temperature:** 0 °C ... +60 °C
- **Output signal:** 2 x PNP/NPN/Push-Pull + 4 mA ... 20 mA / 0 V ... 10 V
- **Connection type:** round connector M12 x 1, 5-pin
- **Product family group:** Pressure sensors
- **Product family:** PAC50
- **Medium:** Dry compressed air

Electrical connection	Process temperature	Housing material	Enclosure rating	Type	Part no.
Round connector M12 x 1, 5-pin	0 °C ... +60 °C, 0 °C +60 °C, 0 °C +60 °C	Housing: polycarbonate, Buttons: TPE, DIN rail mounting: POM, seals: NBR	IP65 / IP67	PAC50-BGC	1062960

- **Measuring range:** 0 bar ... 6 bar
- **Overpressure safety:** 15 bar
- **Accuracy:**  $\leq \pm 1.5$  % of the span
- **Process connection:** 2 x G ¼
- **Process temperature:** 0 °C ... +60 °C
- **Output signal:** 2 x PNP/NPN/Push-Pull + 4 mA ... 20 mA / 0 V ... 10 V
- **Connection type:** round connector M12 x 1, 5-pin
- **Product family group:** Pressure sensors
- **Product family:** PAC50
- **Medium:** Dry compressed air

Electrical connection	Process temperature	Housing material	Enclosure rating	Type	Part no.
Round connector M12 x 1, 5-pin	0 °C ... +60 °C, 0 °C +60 °C, 0 °C +60 °C	Housing: polycarbonate, Buttons: TPE, DIN rail mounting: POM, seals: NBR	IP65 / IP67	PAC50-CGC	1062973

- **Measuring range:** 0 bar ... 10 bar
- **Overpressure safety:** 15 bar
- **Accuracy:**  $\leq \pm 1.5$  % of the span
- **Process connection:** 2 x G ¼
- **Process temperature:** 0 °C ... +60 °C
- **Output signal:** 2 x PNP/NPN/Push-Pull + 4 mA ... 20 mA / 0 V ... 10 V
- **Connection type:** round connector M12 x 1, 5-pin
- **Product family group:** Pressure sensors
- **Product family:** PAC50
- **Medium:** Dry compressed air

Electrical connection	Process temperature	Housing material	Enclosure rating	Type	Part no.
Round connector M12 x 1, 5-pin	0 °C ... +60 °C, 0 °C +60 °C, 0 °C +60 °C	Housing: polycarbonate, Buttons: TPE, DIN rail mounting: POM, seals: NBR	IP65 / IP67	PAC50-DGC	1062985

- **Measuring range:** -1 bar ... 10 bar
- **Overpressure safety:** 15 bar
- **Accuracy:**  $\leq \pm 1.5$  % of the span
- **Process connection:** 2 x G  $\frac{1}{4}$
- **Process temperature:** 0 °C ... +60 °C
- **Output signal:** 2 x PNP/NPN/Push-Pull + 4 mA ... 20 mA / 0 V ... 10 V
- **Connection type:** round connector M12 x 1, 5-pin
- **Product family group:** Pressure sensors
- **Product family:** PAC50
- **Medium:** Dry compressed air

Electrical connection	Process temperature	Housing material	Enclosure rating	Type	Part no.
Round connector M12 x 1, 5-pin	0 °C ... +60 °C, 0 °C +60 °C, 0 °C +60 °C	Housing: polycarbonate, Buttons: TPE, DIN rail mounting: POM, seals: NBR	IP65 / IP67	PAC50-FGC	1077857

- **Measuring range:** -1 bar ... 0 bar
- **Overpressure safety:** 5 bar
- **Accuracy:**  $\leq \pm 1.5$  % of the span
- **Process connection:** 2 x G  $\frac{1}{4}$
- **Process temperature:** 0 °C ... +60 °C
- **Output signal:** IO-Link/PNP + PNP/NPN/Push-Pull
- **Connection type:** M12 round connector x 1, 4-pin
- **Product family group:** Pressure sensors
- **Product family:** PAC50
- **Medium:** Dry compressed air

Electrical connection	Process temperature	Housing material	Enclosure rating	Type	Part no.
M12 round connector x 1, 4-pin	0 °C ... +60 °C, 0 °C +60 °C, 0 °C +60 °C	Housing: polycarbonate, Buttons: TPE, DIN rail mounting: POM, seals: NBR	IP65 / IP67	PAC50-AGD	1062948

- **Measuring range:** -1 bar ... 1 bar
- **Overpressure safety:** 5 bar
- **Accuracy:**  $\leq \pm 1.5$  % of the span
- **Process connection:** 2 x G  $\frac{1}{4}$
- **Process temperature:** 0 °C ... +60 °C
- **Output signal:** IO-Link/PNP + PNP/NPN/Push-Pull
- **Connection type:** M12 round connector x 1, 4-pin
- **Product family group:** Pressure sensors
- **Product family:** PAC50
- **Medium:** Dry compressed air

Electrical connection	Process temperature	Housing material	Enclosure rating	Type	Part no.
M12 round connector x 1, 4-pin	0 °C ... +60 °C, 0 °C +60 °C, 0 °C +60 °C	Housing: polycarbonate, Buttons: TPE, DIN rail mounting: POM, seals: NBR	IP65 / IP67	PAC50-BGD	1062961



- **Measuring range:** 0 bar ... 6 bar
- **Overpressure safety:** 15 bar
- **Accuracy:**  $\leq \pm 1.5$  % of the span
- **Process connection:** 2 x G ¼
- **Process temperature:** 0 °C ... +60 °C
- **Output signal:** IO-Link/PNP + PNP/NPN/Push-Pull
- **Connection type:** M12 round connector x 1, 4-pin
- **Product family group:** Pressure sensors
- **Product family:** PAC50
- **Medium:** Dry compressed air

Electrical connection	Process temperature	Housing material	Enclosure rating	Type	Part no.
M12 round connector x 1, 4-pin	0 °C ... +60 °C, 0 °C +60 °C, 0 °C +60 °C	Housing: polycarbonate, Buttons: TPE, DIN rail mounting: POM, seals: NBR	IP65 / IP67	PAC50-CGD	1062974

- **Measuring range:** 0 bar ... 10 bar
- **Overpressure safety:** 15 bar
- **Accuracy:**  $\leq \pm 1.5$  % of the span
- **Process connection:** 2 x G ¼
- **Process temperature:** 0 °C ... +60 °C
- **Output signal:** IO-Link/PNP + PNP/NPN/Push-Pull
- **Connection type:** M12 round connector x 1, 4-pin
- **Product family group:** Pressure sensors
- **Product family:** PAC50
- **Medium:** Dry compressed air

Electrical connection	Process temperature	Housing material	Enclosure rating	Type	Part no.
M12 round connector x 1, 4-pin	0 °C ... +60 °C, 0 °C +60 °C, 0 °C +60 °C	Housing: polycarbonate, Buttons: TPE, DIN rail mounting: POM, seals: NBR	IP65 / IP67	PAC50-DGD	1062986

- **Measuring range:** -1 bar ... 10 bar
- **Overpressure safety:** 15 bar
- **Accuracy:**  $\leq \pm 1.5$  % of the span
- **Process connection:** 2 x G ¼
- **Process temperature:** 0 °C ... +60 °C
- **Output signal:** IO-Link/PNP + PNP/NPN/Push-Pull
- **Connection type:** M12 round connector x 1, 4-pin
- **Product family group:** Pressure sensors
- **Product family:** PAC50
- **Medium:** Dry compressed air

Electrical connection	Process temperature	Housing material	Enclosure rating	Type	Part no.
M12 round connector x 1, 4-pin	0 °C ... +60 °C, 0 °C +60 °C, 0 °C +60 °C	Housing: polycarbonate, Buttons: TPE, DIN rail mounting: POM, seals: NBR	IP65 / IP67	PAC50-FGD	1077858

- **Measuring range:** -1 bar ... 0 bar
- **Overpressure safety:** 5 bar
- **Accuracy:**  $\leq \pm 1.5$  % of the span
- **Process connection:** 2 x G  $\frac{1}{4}$
- **Process temperature:** 0 °C ... +60 °C
- **Output signal:** IO-Link/PNP + PNP/NPN/Push-Pull + 4 mA ... 20 mA / 0 V ... 10 V
- **Connection type:** round connector M12 x 1, 5-pin
- **Product family group:** Pressure sensors
- **Product family:** PAC50
- **Medium:** Dry compressed air

Electrical connection	Process temperature	Housing material	Enclosure rating	Type	Part no.
Round connector M12 x 1, 5-pin	0 °C ... +60 °C, 0 °C +60 °C, 0 °C +60 °C	Housing: polycarbonate, Buttons: TPE, DIN rail mounting: POM, seals: NBR	IP65 / IP67	PAC50-AGF	1062950

- **Measuring range:** -1 bar ... 1 bar
- **Overpressure safety:** 5 bar
- **Accuracy:**  $\leq \pm 1.5$  % of the span
- **Process connection:** 2 x G  $\frac{1}{4}$
- **Process temperature:** 0 °C ... +60 °C
- **Output signal:** IO-Link/PNP + PNP/NPN/Push-Pull + 4 mA ... 20 mA / 0 V ... 10 V
- **Connection type:** round connector M12 x 1, 5-pin
- **Product family group:** Pressure sensors
- **Product family:** PAC50
- **Medium:** Dry compressed air

Electrical connection	Process temperature	Housing material	Enclosure rating	Type	Part no.
Round connector M12 x 1, 5-pin	0 °C ... +60 °C, 0 °C +60 °C, 0 °C +60 °C	Housing: polycarbonate, Buttons: TPE, DIN rail mounting: POM, seals: NBR	IP65 / IP67	PAC50-BGF	1062963

- **Measuring range:** 0 bar ... 6 bar
- **Overpressure safety:** 15 bar
- **Accuracy:**  $\leq \pm 1.5$  % of the span
- **Process connection:** 2 x G  $\frac{1}{4}$
- **Process temperature:** 0 °C ... +60 °C
- **Output signal:** IO-Link/PNP + PNP/NPN/Push-Pull + 4 mA ... 20 mA / 0 V ... 10 V
- **Connection type:** round connector M12 x 1, 5-pin
- **Product family group:** Pressure sensors
- **Product family:** PAC50
- **Medium:** Dry compressed air

Electrical connection	Process temperature	Housing material	Enclosure rating	Type	Part no.
Round connector M12 x 1, 5-pin	0 °C ... +60 °C, 0 °C +60 °C, 0 °C +60 °C	Housing: polycarbonate, Buttons: TPE, DIN rail mounting: POM, seals: NBR	IP65 / IP67	PAC50-CGF	1062976

- **Measuring range:** 0 bar ... 10 bar
- **Overpressure safety:** 15 bar
- **Accuracy:**  $\leq \pm 1.5$  % of the span
- **Process connection:** 2 x G ¼
- **Process temperature:** 0 °C ... +60 °C
- **Output signal:** IO-Link/PNP + PNP/NPN/Push-Pull + 4 mA ... 20 mA / 0 V ... 10 V
- **Connection type:** round connector M12 x 1, 5-pin
- **Product family group:** Pressure sensors
- **Product family:** PAC50
- **Medium:** Dry compressed air

Electrical connection	Process temperature	Housing material	Enclosure rating	Type	Part no.
Round connector M12 x 1, 5-pin	0 °C ... +60 °C, 0 °C +60 °C, 0 °C +60 °C	Housing: polycarbonate, Buttons: TPE, DIN rail mounting: POM, seals: NBR	IP65 / IP67	PAC50-DGF	1062988

- **Measuring range:** -1 bar ... 10 bar
- **Overpressure safety:** 15 bar
- **Accuracy:**  $\leq \pm 1.5$  % of the span
- **Process connection:** 2 x G ¼
- **Process temperature:** 0 °C ... +60 °C
- **Output signal:** IO-Link/PNP + PNP/NPN/Push-Pull + 4 mA ... 20 mA / 0 V ... 10 V
- **Connection type:** round connector M12 x 1, 5-pin
- **Product family group:** Pressure sensors
- **Product family:** PAC50
- **Medium:** Dry compressed air

Electrical connection	Process temperature	Housing material	Enclosure rating	Type	Part no.
Round connector M12 x 1, 5-pin	0 °C ... +60 °C, 0 °C +60 °C, 0 °C +60 °C	Housing: polycarbonate, Buttons: TPE, DIN rail mounting: POM, seals: NBR	IP65 / IP67	PAC50-FGF	1086915

- **Measuring range:** -1 bar ... 10 bar
- **Accuracy:**  $\leq \pm 1.5$  % of the span
- **Process connection:** 2 x G ¼
- **Process temperature:** 0 °C ... +60 °C
- **Output signal:** PNP + PNP/NPN/Push-Pull + 4 mA ... 20 mA / 0 V ... 10 V
- **Connection type:** round connector M12 x 1, 5-pin
- **Product family group:** Pressure sensors
- **Product family:** PAC50
- **Medium:** Dry compressed air

Electrical connection	Process temperature	Housing material	Enclosure rating	Type	Part no.
Round connector M12 x 1, 5-pin	0 °C ... +60 °C, 0 °C +60 °C, 0 °C +60 °C	Housing: polycarbonate, Buttons: TPE, DIN rail mounting: POM, seals: NBR	IP65 / IP67	PAC50-FGG (Leakage Tester)	1098276

- **Measuring range:** -1 bar ... 0 bar
- **Overpressure safety:** 5 bar
- **Accuracy:**  $\leq \pm 1.5$  % of the span
- **Process connection:** PIF 4 mm + G  $\frac{1}{4}$
- **Process temperature:** 0 °C ... +60 °C
- **Output signal:** 2 x PNP/NPN/Push-Pull
- **Connection type:** M12 round connector x 1, 4-pin
- **Product family group:** Pressure sensors
- **Product family:** PAC50
- **Medium:** Dry compressed air

Electrical connection	Process temperature	Housing material	Enclosure rating	Type	Part no.
M12 round connector x 1, 4-pin	0 °C ... +60 °C, 0 °C +60 °C, 0 °C +60 °C	Housing: polycarbonate, Buttons: TPE, DIN rail mounting: POM, seals: NBR	IP65 / IP67	PAC50-ACA	1062951

- **Measuring range:** -1 bar ... 1 bar
- **Overpressure safety:** 5 bar
- **Accuracy:**  $\leq \pm 1.5$  % of the span
- **Process connection:** PIF 4 mm + G  $\frac{1}{4}$
- **Process temperature:** 0 °C ... +60 °C
- **Output signal:** 2 x PNP/NPN/Push-Pull
- **Connection type:** M12 round connector x 1, 4-pin
- **Product family group:** Pressure sensors
- **Product family:** PAC50
- **Medium:** Dry compressed air

Electrical connection	Process temperature	Housing material	Enclosure rating	Type	Part no.
M12 round connector x 1, 4-pin	0 °C ... +60 °C, 0 °C +60 °C, 0 °C +60 °C	Housing: polycarbonate, Buttons: TPE, DIN rail mounting: POM, seals: NBR	IP65 / IP67	PAC50-BCA	1062964

- **Measuring range:** 0 bar ... 6 bar
- **Overpressure safety:** 15 bar
- **Accuracy:**  $\leq \pm 1.5$  % of the span
- **Process connection:** PIF 4 mm + G  $\frac{1}{4}$
- **Process temperature:** 0 °C ... +60 °C
- **Output signal:** 2 x PNP/NPN/Push-Pull
- **Connection type:** M12 round connector x 1, 4-pin
- **Product family group:** Pressure sensors
- **Product family:** PAC50
- **Medium:** Dry compressed air

Electrical connection	Process temperature	Housing material	Enclosure rating	Type	Part no.
M12 round connector x 1, 4-pin	0 °C ... +60 °C, 0 °C +60 °C, 0 °C +60 °C	Housing: polycarbonate, Buttons: TPE, DIN rail mounting: POM, seals: NBR	IP65 / IP67	PAC50-CCA	1062977

- **Measuring range:** 0 bar ... 10 bar
- **Overpressure safety:** 15 bar
- **Accuracy:**  $\leq \pm 1.5$  % of the span
- **Process connection:** PIF 4 mm + G 1/4
- **Process temperature:** 0 °C ... +60 °C
- **Output signal:** 2 x PNP/NPN/Push-Pull
- **Connection type:** M12 round connector x 1, 4-pin
- **Product family group:** Pressure sensors
- **Product family:** PAC50
- **Medium:** Dry compressed air

Electrical connection	Process temperature	Housing material	Enclosure rating	Type	Part no.
M12 round connector x 1, 4-pin	0 °C ... +60 °C, 0 °C +60 °C, 0 °C +60 °C	Housing: polycarbonate, Buttons: TPE, DIN rail mounting: POM, seals: NBR	IP65 / IP67	PAC50-DCA	1062989

- **Measuring range:** -1 bar ... 10 bar
- **Overpressure safety:** 15 bar
- **Accuracy:**  $\leq \pm 1.5$  % of the span
- **Process connection:** PIF 4 mm + G 1/4
- **Process temperature:** 0 °C ... +60 °C
- **Output signal:** 2 x PNP/NPN/Push-Pull
- **Connection type:** M12 round connector x 1, 4-pin
- **Product family group:** Pressure sensors
- **Product family:** PAC50
- **Medium:** Dry compressed air

Electrical connection	Process temperature	Housing material	Enclosure rating	Type	Part no.
M12 round connector x 1, 4-pin	0 °C ... +60 °C, 0 °C +60 °C, 0 °C +60 °C	Housing: polycarbonate, Buttons: TPE, DIN rail mounting: POM, seals: NBR	IP65 / IP67	PAC50-FCA	1083765

- **Measuring range:** -1 bar ... 0 bar
- **Overpressure safety:** 5 bar
- **Accuracy:**  $\leq \pm 1.5$  % of the span
- **Process connection:** PIF 4 mm + G 1/4
- **Process temperature:** 0 °C ... +60 °C
- **Output signal:** PNP/NPN/Push-Pull + 4 mA ... 20 mA / 0 V ... 10 V
- **Connection type:** M12 round connector x 1, 4-pin
- **Product family group:** Pressure sensors
- **Product family:** PAC50
- **Medium:** Dry compressed air

Electrical connection	Process temperature	Housing material	Enclosure rating	Type	Part no.
M12 round connector x 1, 4-pin	0 °C ... +60 °C, 0 °C +60 °C, 0 °C +60 °C	Housing: polycarbonate, Buttons: TPE, DIN rail mounting: POM, seals: NBR	IP65 / IP67	PAC50-ACB	1062952

- **Measuring range:** -1 bar ... 1 bar
- **Overpressure safety:** 5 bar
- **Accuracy:**  $\leq \pm 1.5$  % of the span
- **Process connection:** PIF 4 mm + G  $\frac{1}{4}$
- **Process temperature:** 0 °C ... +60 °C
- **Output signal:** PNP/NPN/Push-Pull + 4 mA ... 20 mA / 0 V ... 10 V
- **Connection type:** M12 round connector x 1, 4-pin
- **Product family group:** Pressure sensors
- **Product family:** PAC50
- **Medium:** Dry compressed air

Electrical connection	Process temperature	Housing material	Enclosure rating	Type	Part no.
M12 round connector x 1, 4-pin	0 °C ... +60 °C, 0 °C +60 °C, 0 °C +60 °C	Housing: polycarbonate, Buttons: TPE, DIN rail mounting: POM, seals: NBR	IP65 / IP67	PAC50-BCB	1062965

- **Measuring range:** 0 bar ... 6 bar
- **Overpressure safety:** 15 bar
- **Accuracy:**  $\leq \pm 1.5$  % of the span
- **Process connection:** PIF 4 mm + G  $\frac{1}{4}$
- **Process temperature:** 0 °C ... +60 °C
- **Output signal:** PNP/NPN/Push-Pull + 4 mA ... 20 mA / 0 V ... 10 V
- **Connection type:** M12 round connector x 1, 4-pin
- **Product family group:** Pressure sensors
- **Product family:** PAC50
- **Medium:** Dry compressed air

Electrical connection	Process temperature	Housing material	Enclosure rating	Type	Part no.
M12 round connector x 1, 4-pin	0 °C ... +60 °C, 0 °C +60 °C, 0 °C +60 °C	Housing: polycarbonate, Buttons: TPE, DIN rail mounting: POM, seals: NBR	IP65 / IP67	PAC50-CCB	1062978

- **Measuring range:** 0 bar ... 10 bar
- **Overpressure safety:** 15 bar
- **Accuracy:**  $\leq \pm 1.5$  % of the span
- **Process connection:** PIF 4 mm + G  $\frac{1}{4}$
- **Process temperature:** 0 °C ... +60 °C
- **Output signal:** PNP/NPN/Push-Pull + 4 mA ... 20 mA / 0 V ... 10 V
- **Connection type:** M12 round connector x 1, 4-pin
- **Product family group:** Pressure sensors
- **Product family:** PAC50
- **Medium:** Dry compressed air

Electrical connection	Process temperature	Housing material	Enclosure rating	Type	Part no.
M12 round connector x 1, 4-pin	0 °C ... +60 °C, 0 °C +60 °C, 0 °C +60 °C	Housing: polycarbonate, Buttons: TPE, DIN rail mounting: POM, seals: NBR	IP65 / IP67	PAC50-DCB	1062990

- **Measuring range:** -1 bar ... 10 bar
- **Overpressure safety:** 15 bar
- **Accuracy:**  $\leq \pm 1.5$  % of the span
- **Process connection:** PIF 4 mm + G 1/4
- **Process temperature:** 0 °C ... +60 °C
- **Output signal:** PNP/NPN/Push-Pull + 4 mA ... 20 mA / 0 V ... 10 V
- **Connection type:** M12 round connector x 1, 4-pin
- **Product family group:** Pressure sensors
- **Product family:** PAC50
- **Medium:** Dry compressed air

Electrical connection	Process temperature	Housing material	Enclosure rating	Type	Part no.
M12 round connector x 1, 4-pin	0 °C ... +60 °C, 0 °C +60 °C, 0 °C +60 °C	Housing: polycarbonate, Buttons: TPE, DIN rail mounting: POM, seals: NBR	IP65 / IP67	PAC50-FCB	1083764

- **Measuring range:** -1 bar ... 0 bar
- **Overpressure safety:** 5 bar
- **Accuracy:**  $\leq \pm 1.5$  % of the span
- **Process connection:** PIF 4 mm + G 1/4
- **Process temperature:** 0 °C ... +60 °C
- **Output signal:** 2 x PNP/NPN/Push-Pull + 4 mA ... 20 mA / 0 V ... 10 V
- **Connection type:** round connector M12 x 1, 5-pin
- **Product family group:** Pressure sensors
- **Product family:** PAC50
- **Medium:** Dry compressed air

Electrical connection	Process temperature	Housing material	Enclosure rating	Type	Part no.
Round connector M12 x 1, 5-pin	0 °C ... +60 °C, 0 °C +60 °C, 0 °C +60 °C	Housing: polycarbonate, Buttons: TPE, DIN rail mounting: POM, seals: NBR	IP65 / IP67	PAC50-ACC	1062953

- **Measuring range:** -1 bar ... 1 bar
- **Overpressure safety:** 5 bar
- **Accuracy:**  $\leq \pm 1.5$  % of the span
- **Process connection:** PIF 4 mm + G 1/4
- **Process temperature:** 0 °C ... +60 °C
- **Output signal:** 2 x PNP/NPN/Push-Pull + 4 mA ... 20 mA / 0 V ... 10 V
- **Connection type:** round connector M12 x 1, 5-pin
- **Product family group:** Pressure sensors
- **Product family:** PAC50
- **Medium:** Dry compressed air

Electrical connection	Process temperature	Housing material	Enclosure rating	Type	Part no.
Round connector M12 x 1, 5-pin	0 °C ... +60 °C, 0 °C +60 °C, 0 °C +60 °C	Housing: polycarbonate, Buttons: TPE, DIN rail mounting: POM, seals: NBR	IP65 / IP67	PAC50-BCC	1062966

- **Measuring range:** 0 bar ... 6 bar
- **Overpressure safety:** 15 bar
- **Accuracy:**  $\leq \pm 1.5$  % of the span
- **Process connection:** PIF 4 mm + G  $\frac{1}{4}$
- **Process temperature:** 0 °C ... +60 °C
- **Output signal:** 2 x PNP/NPN/Push-Pull + 4 mA ... 20 mA / 0 V ... 10 V
- **Connection type:** round connector M12 x 1, 5-pin
- **Product family group:** Pressure sensors
- **Product family:** PAC50
- **Medium:** Dry compressed air

Electrical connection	Process temperature	Housing material	Enclosure rating	Type	Part no.
Round connector M12 x 1, 5-pin	0 °C ... +60 °C, 0 °C +60 °C, 0 °C +60 °C	Housing: polycarbonate, Buttons: TPE, DIN rail mounting: POM, seals: NBR	IP65 / IP67	PAC50-CCC	1062979

- **Measuring range:** 0 bar ... 10 bar
- **Overpressure safety:** 15 bar
- **Accuracy:**  $\leq \pm 1.5$  % of the span
- **Process connection:** PIF 4 mm + G  $\frac{1}{4}$
- **Process temperature:** 0 °C ... +60 °C
- **Output signal:** 2 x PNP/NPN/Push-Pull + 4 mA ... 20 mA / 0 V ... 10 V
- **Connection type:** round connector M12 x 1, 5-pin
- **Product family group:** Pressure sensors
- **Product family:** PAC50
- **Medium:** Dry compressed air

Electrical connection	Process temperature	Housing material	Enclosure rating	Type	Part no.
Round connector M12 x 1, 5-pin	0 °C ... +60 °C, 0 °C +60 °C, 0 °C +60 °C	Housing: polycarbonate, Buttons: TPE, DIN rail mounting: POM, seals: NBR	IP65 / IP67	PAC50-DCC	1062991

- **Measuring range:** -1 bar ... 10 bar
- **Overpressure safety:** 15 bar
- **Accuracy:**  $\leq \pm 1.5$  % of the span
- **Process connection:** PIF 4 mm + G  $\frac{1}{4}$
- **Process temperature:** 0 °C ... +60 °C
- **Output signal:** 2 x PNP/NPN/Push-Pull + 4 mA ... 20 mA / 0 V ... 10 V
- **Connection type:** round connector M12 x 1, 5-pin
- **Product family group:** Pressure sensors
- **Product family:** PAC50
- **Medium:** Dry compressed air

Electrical connection	Process temperature	Housing material	Enclosure rating	Type	Part no.
Round connector M12 x 1, 5-pin	0 °C ... +60 °C, 0 °C +60 °C, 0 °C +60 °C	Housing: polycarbonate, Buttons: TPE, DIN rail mounting: POM, seals: NBR	IP65 / IP67	PAC50-FCC	1083762



- **Measuring range:** -1 bar ... 0 bar
- **Overpressure safety:** 5 bar
- **Accuracy:**  $\leq \pm 1.5$  % of the span
- **Process connection:** PIF 4 mm + G 1/4
- **Process temperature:** 0 °C ... +60 °C
- **Output signal:** IO-Link/PNP + PNP/NPN/Push-Pull
- **Connection type:** M12 round connector x 1, 4-pin
- **Product family group:** Pressure sensors
- **Product family:** PAC50
- **Medium:** Dry compressed air

Electrical connection	Process temperature	Housing material	Enclosure rating	Type	Part no.
M12 round connector x 1, 4-pin	0 °C ... +60 °C, 0 °C +60 °C, 0 °C +60 °C	Housing: polycarbonate, Buttons: TPE, DIN rail mounting: POM, seals: NBR	IP65 / IP67	PAC50-ACD	1062954

- **Measuring range:** -1 bar ... 1 bar
- **Overpressure safety:** 5 bar
- **Accuracy:**  $\leq \pm 1.5$  % of the span
- **Process connection:** PIF 4 mm + G 1/4
- **Process temperature:** 0 °C ... +60 °C
- **Output signal:** IO-Link/PNP + PNP/NPN/Push-Pull
- **Connection type:** M12 round connector x 1, 4-pin
- **Product family group:** Pressure sensors
- **Product family:** PAC50
- **Medium:** Dry compressed air

Electrical connection	Process temperature	Housing material	Enclosure rating	Type	Part no.
M12 round connector x 1, 4-pin	0 °C ... +60 °C, 0 °C +60 °C, 0 °C +60 °C	Housing: polycarbonate, Buttons: TPE, DIN rail mounting: POM, seals: NBR	IP65 / IP67	PAC50-BCD	1062967

- **Measuring range:** 0 bar ... 6 bar
- **Overpressure safety:** 15 bar
- **Accuracy:**  $\leq \pm 1.5$  % of the span
- **Process connection:** PIF 4 mm + G 1/4
- **Process temperature:** 0 °C ... +60 °C
- **Output signal:** IO-Link/PNP + PNP/NPN/Push-Pull
- **Connection type:** M12 round connector x 1, 4-pin
- **Product family group:** Pressure sensors
- **Product family:** PAC50
- **Medium:** Dry compressed air

Electrical connection	Process temperature	Housing material	Enclosure rating	Type	Part no.
M12 round connector x 1, 4-pin	0 °C ... +60 °C, 0 °C +60 °C, 0 °C +60 °C	Housing: polycarbonate, Buttons: TPE, DIN rail mounting: POM, seals: NBR	IP65 / IP67	PAC50-CCD	1062980

- **Measuring range:** 0 bar ... 10 bar
- **Overpressure safety:** 15 bar
- **Accuracy:**  $\leq \pm 1.5$  % of the span
- **Process connection:** PIF 4 mm + G  $\frac{1}{4}$
- **Process temperature:** 0 °C ... +60 °C
- **Output signal:** IO-Link/PNP + PNP/NPN/Push-Pull
- **Connection type:** M12 round connector x 1, 4-pin
- **Product family group:** Pressure sensors
- **Product family:** PAC50
- **Medium:** Dry compressed air

Electrical connection	Process temperature	Housing material	Enclosure rating	Type	Part no.
M12 round connector x 1, 4-pin	0 °C ... +60 °C, 0 °C +60 °C, 0 °C +60 °C	Housing: polycarbonate, Buttons: TPE, DIN rail mounting: POM, seals: NBR	IP65 / IP67	PAC50-DCD	1062992

- **Measuring range:** -1 bar ... 10 bar
- **Overpressure safety:** 15 bar
- **Accuracy:**  $\leq \pm 1.5$  % of the span
- **Process connection:** PIF 4 mm + G  $\frac{1}{4}$
- **Process temperature:** 0 °C ... +60 °C
- **Output signal:** IO-Link/PNP + PNP/NPN/Push-Pull
- **Connection type:** M12 round connector x 1, 4-pin
- **Product family group:** Pressure sensors
- **Product family:** PAC50
- **Medium:** Dry compressed air

Electrical connection	Process temperature	Housing material	Enclosure rating	Type	Part no.
M12 round connector x 1, 4-pin	0 °C ... +60 °C, 0 °C +60 °C, 0 °C +60 °C	Housing: polycarbonate, Buttons: TPE, DIN rail mounting: POM, seals: NBR	IP65 / IP67	PAC50-FCD	1083758

- **Measuring range:** -1 bar ... 0 bar
- **Overpressure safety:** 5 bar
- **Accuracy:**  $\leq \pm 1.5$  % of the span
- **Process connection:** PIF 4 mm + G  $\frac{1}{4}$
- **Process temperature:** 0 °C ... +60 °C
- **Output signal:** IO-Link/PNP + PNP/NPN/Push-Pull + 4 mA ... 20 mA / 0 V ... 10 V
- **Connection type:** round connector M12 x 1, 5-pin
- **Product family group:** Pressure sensors
- **Product family:** PAC50
- **Medium:** Dry compressed air

Electrical connection	Process temperature	Housing material	Enclosure rating	Type	Part no.
Round connector M12 x 1, 5-pin	0 °C ... +60 °C, 0 °C +60 °C, 0 °C +60 °C	Housing: polycarbonate, Buttons: TPE, DIN rail mounting: POM, seals: NBR	IP65 / IP67	PAC50-ACF	1062957

- **Measuring range:** -1 bar ... 1 bar
- **Overpressure safety:** 5 bar
- **Accuracy:**  $\leq \pm 1.5$  % of the span
- **Process connection:** PIF 4 mm + G  $\frac{1}{4}$
- **Process temperature:** 0 °C ... +60 °C
- **Output signal:** IO-Link/PNP + PNP/NPN/Push-Pull + 4 mA ... 20 mA / 0 V ... 10 V
- **Connection type:** round connector M12 x 1, 5-pin
- **Product family group:** Pressure sensors
- **Product family:** PAC50
- **Medium:** Dry compressed air

Electrical connection	Process temperature	Housing material	Enclosure rating	Type	Part no.
Round connector M12 x 1, 5-pin	0 °C ... +60 °C, 0 °C +60 °C, 0 °C +60 °C	Housing: polycarbonate, Buttons: TPE, DIN rail mounting: POM, seals: NBR	IP65 / IP67	PAC50-BCF	1062969

- **Measuring range:** 0 bar ... 6 bar
- **Overpressure safety:** 15 bar
- **Accuracy:**  $\leq \pm 1.5$  % of the span
- **Process connection:** PIF 4 mm + G  $\frac{1}{4}$
- **Process temperature:** 0 °C ... +60 °C
- **Output signal:** IO-Link/PNP + PNP/NPN/Push-Pull + 4 mA ... 20 mA / 0 V ... 10 V
- **Connection type:** round connector M12 x 1, 5-pin
- **Product family group:** Pressure sensors
- **Product family:** PAC50
- **Medium:** Dry compressed air

Electrical connection	Process temperature	Housing material	Enclosure rating	Type	Part no.
Round connector M12 x 1, 5-pin	0 °C ... +60 °C, 0 °C +60 °C, 0 °C +60 °C	Housing: polycarbonate, Buttons: TPE, DIN rail mounting: POM, seals: NBR	IP65 / IP67	PAC50-CCF	1062982

- **Measuring range:** 0 bar ... 10 bar
- **Overpressure safety:** 15 bar
- **Accuracy:**  $\leq \pm 1.5$  % of the span
- **Process connection:** PIF 4 mm + G  $\frac{1}{4}$
- **Process temperature:** 0 °C ... +60 °C
- **Output signal:** IO-Link/PNP + PNP/NPN/Push-Pull + 4 mA ... 20 mA / 0 V ... 10 V
- **Connection type:** round connector M12 x 1, 5-pin
- **Product family group:** Pressure sensors
- **Product family:** PAC50
- **Medium:** Dry compressed air

Electrical connection	Process temperature	Housing material	Enclosure rating	Type	Part no.
Round connector M12 x 1, 5-pin	0 °C ... +60 °C, 0 °C +60 °C, 0 °C +60 °C	Housing: polycarbonate, Buttons: TPE, DIN rail mounting: POM, seals: NBR	IP65 / IP67	PAC50-DCF	1062994

- **Measuring range:** -1 bar ... 10 bar
- **Overpressure safety:** 15 bar
- **Accuracy:**  $\leq \pm 1.5\%$  of the span
- **Process connection:** PIF 4 mm + G  $\frac{1}{4}$
- **Process temperature:** 0 °C ... +60 °C
- **Output signal:** IO-Link/PNP + PNP/NPN/Push-Pull + 4 mA ... 20 mA / 0 V ... 10 V
- **Connection type:** round connector M12 x 1, 5-pin
- **Product family group:** Pressure sensors
- **Product family:** PAC50
- **Medium:** Dry compressed air

Electrical connection	Process temperature	Housing material	Enclosure rating	Type	Part no.
Round connector M12 x 1, 5-pin	0 °C ... +60 °C, 0 °C +60 °C, 0 °C +60 °C	Housing: polycarbonate, Buttons: TPE, DIN rail mounting: POM, seals: NBR	IP65 / IP67	PAC50-FCF	1086916

- **Measuring range:** -1 bar ... 0 bar
- **Overpressure safety:** 5 bar
- **Accuracy:**  $\leq \pm 1.5\%$  of the span
- **Process connection:**  $\frac{1}{4}$ " NPT female
- **Process temperature:** 0 °C ... +60 °C
- **Output signal:** 2 x PNP/NPN/Push-Pull
- **Connection type:** M12 round connector x 1, 4-pin
- **Product family group:** Pressure sensors
- **Product family:** PAC50
- **Medium:** Dry compressed air

Electrical connection	Process temperature	Housing material	Enclosure rating	Type	Part no.
M12 round connector x 1, 4-pin	0 °C ... +60 °C, 0 °C +60 °C, 0 °C +60 °C	Housing: polycarbonate, Buttons: TPE, DIN rail mounting: POM, seals: NBR	IP65 / IP67	PAC50-ANA	1083719

- **Measuring range:** -1 bar ... 1 bar
- **Overpressure safety:** 5 bar
- **Accuracy:**  $\leq \pm 1.5\%$  of the span
- **Process connection:**  $\frac{1}{4}$ " NPT female
- **Process temperature:** 0 °C ... +60 °C
- **Output signal:** 2 x PNP/NPN/Push-Pull
- **Connection type:** M12 round connector x 1, 4-pin
- **Product family group:** Pressure sensors
- **Product family:** PAC50
- **Medium:** Dry compressed air

Electrical connection	Process temperature	Housing material	Enclosure rating	Type	Part no.
M12 round connector x 1, 4-pin	0 °C ... +60 °C, 0 °C +60 °C, 0 °C +60 °C	Housing: polycarbonate, Buttons: TPE, DIN rail mounting: POM, seals: NBR	IP65 / IP67	PAC50-BNA	1083723

- **Measuring range:** 0 bar ... 6 bar
- **Overpressure safety:** 15 bar
- **Accuracy:**  $\leq \pm 1.5$  % of the span
- **Process connection:** 1/4" NPT female
- **Process temperature:** 0 °C ... +60 °C
- **Output signal:** 2 x PNP/NPN/Push-Pull
- **Connection type:** M12 round connector x 1, 4-pin
- **Product family group:** Pressure sensors
- **Product family:** PAC50
- **Medium:** Dry compressed air

Electrical connection	Process temperature	Housing material	Enclosure rating	Type	Part no.
M12 round connector x 1, 4-pin	0 °C ... +60 °C, 0 °C +60 °C, 0 °C +60 °C	Housing: polycarbonate, Buttons: TPE, DIN rail mounting: POM, seals: NBR	IP65 / IP67	PAC50-CNA	1083727

- **Measuring range:** 0 bar ... 10 bar
- **Overpressure safety:** 15 bar
- **Accuracy:**  $\leq \pm 1.5$  % of the span
- **Process connection:** 1/4" NPT female
- **Process temperature:** 0 °C ... +60 °C
- **Output signal:** 2 x PNP/NPN/Push-Pull
- **Connection type:** M12 round connector x 1, 4-pin
- **Product family group:** Pressure sensors
- **Product family:** PAC50
- **Medium:** Dry compressed air

Electrical connection	Process temperature	Housing material	Enclosure rating	Type	Part no.
M12 round connector x 1, 4-pin	0 °C ... +60 °C, 0 °C +60 °C, 0 °C +60 °C	Housing: polycarbonate, Buttons: TPE, DIN rail mounting: POM, seals: NBR	IP65 / IP67	PAC50-DNA	1083731

- **Measuring range:** -1 bar ... 10 bar
- **Overpressure safety:** 15 bar
- **Accuracy:**  $\leq \pm 1.5$  % of the span
- **Process connection:** 1/4" NPT female
- **Process temperature:** 0 °C ... +60 °C
- **Output signal:** 2 x PNP/NPN/Push-Pull
- **Connection type:** M12 round connector x 1, 4-pin
- **Product family group:** Pressure sensors
- **Product family:** PAC50
- **Medium:** Dry compressed air

Electrical connection	Process temperature	Housing material	Enclosure rating	Type	Part no.
M12 round connector x 1, 4-pin	0 °C ... +60 °C, 0 °C +60 °C, 0 °C +60 °C	Housing: polycarbonate, Buttons: TPE, DIN rail mounting: POM, seals: NBR	IP65 / IP67	PAC50-FNA	1083735

- **Measuring range:** -1 bar ... 0 bar
- **Overpressure safety:** 5 bar
- **Accuracy:**  $\leq \pm 1.5$  % of the span
- **Process connection:** 1/4" NPT female
- **Process temperature:** 0 °C ... +60 °C
- **Output signal:** PNP/NPN/Push-Pull + 4 mA ... 20 mA / 0 V ... 10 V
- **Connection type:** M12 round connector x 1, 4-pin
- **Product family group:** Pressure sensors
- **Product family:** PAC50
- **Medium:** Dry compressed air

Electrical connection	Process temperature	Housing material	Enclosure rating	Type	Part no.
M12 round connector x 1, 4-pin	0 °C ... +60 °C, 0 °C +60 °C, 0 °C +60 °C	Housing: polycarbonate, Buttons: TPE, DIN rail mounting: POM, seals: NBR	IP65 / IP67	PAC50-ANB	1083720

- **Measuring range:** -1 bar ... 1 bar
- **Overpressure safety:** 5 bar
- **Accuracy:**  $\leq \pm 1.5$  % of the span
- **Process connection:** 1/4" NPT female
- **Process temperature:** 0 °C ... +60 °C
- **Output signal:** PNP/NPN/Push-Pull + 4 mA ... 20 mA / 0 V ... 10 V
- **Connection type:** M12 round connector x 1, 4-pin
- **Product family group:** Pressure sensors
- **Product family:** PAC50
- **Medium:** Dry compressed air

Electrical connection	Process temperature	Housing material	Enclosure rating	Type	Part no.
M12 round connector x 1, 4-pin	0 °C ... +60 °C, 0 °C +60 °C, 0 °C +60 °C	Housing: polycarbonate, Buttons: TPE, DIN rail mounting: POM, seals: NBR	IP65 / IP67	PAC50-BNB	1083724

- **Measuring range:** 0 bar ... 6 bar
- **Overpressure safety:** 15 bar
- **Accuracy:**  $\leq \pm 1.5$  % of the span
- **Process connection:** 1/4" NPT female
- **Process temperature:** 0 °C ... +60 °C
- **Output signal:** PNP/NPN/Push-Pull + 4 mA ... 20 mA / 0 V ... 10 V
- **Connection type:** M12 round connector x 1, 4-pin
- **Product family group:** Pressure sensors
- **Product family:** PAC50
- **Medium:** Dry compressed air

Electrical connection	Process temperature	Housing material	Enclosure rating	Type	Part no.
M12 round connector x 1, 4-pin	0 °C ... +60 °C, 0 °C +60 °C, 0 °C +60 °C	Housing: polycarbonate, Buttons: TPE, DIN rail mounting: POM, seals: NBR	IP65 / IP67	PAC50-CNB	1083728

- **Measuring range:** 0 bar ... 10 bar
- **Overpressure safety:** 15 bar
- **Accuracy:**  $\leq \pm 1.5\%$  of the span
- **Process connection:** 1/4" NPT female
- **Process temperature:** 0 °C ... +60 °C
- **Output signal:** PNP/NPN/Push-Pull + 4 mA ... 20 mA / 0 V ... 10 V
- **Connection type:** M12 round connector x 1, 4-pin
- **Product family group:** Pressure sensors
- **Product family:** PAC50
- **Medium:** Dry compressed air

Electrical connection	Process temperature	Housing material	Enclosure rating	Type	Part no.
M12 round connector x 1, 4-pin	0 °C ... +60 °C, 0 °C +60 °C, 0 °C +60 °C	Housing: polycarbonate, Buttons: TPE, DIN rail mounting: POM, seals: NBR	IP65 / IP67	PAC50-DNB	1083732

- **Measuring range:** -1 bar ... 10 bar
- **Overpressure safety:** 15 bar
- **Accuracy:**  $\leq \pm 1.5\%$  of the span
- **Process connection:** 1/4" NPT female
- **Process temperature:** 0 °C ... +60 °C
- **Output signal:** PNP/NPN/Push-Pull + 4 mA ... 20 mA / 0 V ... 10 V
- **Connection type:** M12 round connector x 1, 4-pin
- **Product family group:** Pressure sensors
- **Product family:** PAC50
- **Medium:** Dry compressed air

Electrical connection	Process temperature	Housing material	Enclosure rating	Type	Part no.
M12 round connector x 1, 4-pin	0 °C ... +60 °C, 0 °C +60 °C, 0 °C +60 °C	Housing: polycarbonate, Buttons: TPE, DIN rail mounting: POM, seals: NBR	IP65 / IP67	PAC50-FNB	1083736

- **Measuring range:** -1 bar ... 0 bar
- **Overpressure safety:** 5 bar
- **Accuracy:**  $\leq \pm 1.5\%$  of the span
- **Process connection:** 1/4" NPT female
- **Process temperature:** 0 °C ... +60 °C
- **Output signal:** 2 x PNP/NPN/Push-Pull + 4 mA ... 20 mA / 0 V ... 10 V
- **Connection type:** round connector M12 x 1, 5-pin
- **Product family group:** Pressure sensors
- **Product family:** PAC50
- **Medium:** Dry compressed air

Electrical connection	Process temperature	Housing material	Enclosure rating	Type	Part no.
Round connector M12 x 1, 5-pin	0 °C ... +60 °C, 0 °C +60 °C, 0 °C +60 °C	Housing: polycarbonate, Buttons: TPE, DIN rail mounting: POM, seals: NBR	IP65 / IP67	PAC50-ANC	1083721

- **Measuring range:** -1 bar ... 1 bar
- **Overpressure safety:** 5 bar
- **Accuracy:**  $\leq \pm 1.5$  % of the span
- **Process connection:** 1/4" NPT female
- **Process temperature:** 0 °C ... +60 °C
- **Output signal:** 2 x PNP/NPN/Push-Pull + 4 mA ... 20 mA / 0 V ... 10 V
- **Connection type:** round connector M12 x 1, 5-pin
- **Product family group:** Pressure sensors
- **Product family:** PAC50
- **Medium:** Dry compressed air

Electrical connection	Process temperature	Housing material	Enclosure rating	Type	Part no.
Round connector M12 x 1, 5-pin	0 °C ... +60 °C, 0 °C +60 °C, 0 °C +60 °C	Housing: polycarbonate, Buttons: TPE, DIN rail mounting: POM, seals: NBR	IP65 / IP67	PAC50-BNC	1083725

- **Measuring range:** 0 bar ... 6 bar
- **Overpressure safety:** 15 bar
- **Accuracy:**  $\leq \pm 1.5$  % of the span
- **Process connection:** 1/4" NPT female
- **Process temperature:** 0 °C ... +60 °C
- **Output signal:** 2 x PNP/NPN/Push-Pull + 4 mA ... 20 mA / 0 V ... 10 V
- **Connection type:** round connector M12 x 1, 5-pin
- **Product family group:** Pressure sensors
- **Product family:** PAC50
- **Medium:** Dry compressed air

Electrical connection	Process temperature	Housing material	Enclosure rating	Type	Part no.
Round connector M12 x 1, 5-pin	0 °C ... +60 °C, 0 °C +60 °C, 0 °C +60 °C	Housing: polycarbonate, Buttons: TPE, DIN rail mounting: POM, seals: NBR	IP65 / IP67	PAC50-CNC	1083729

- **Measuring range:** 0 bar ... 10 bar
- **Overpressure safety:** 15 bar
- **Accuracy:**  $\leq \pm 1.5$  % of the span
- **Process connection:** 1/4" NPT female
- **Process temperature:** 0 °C ... +60 °C
- **Output signal:** 2 x PNP/NPN/Push-Pull + 4 mA ... 20 mA / 0 V ... 10 V
- **Connection type:** round connector M12 x 1, 5-pin
- **Product family group:** Pressure sensors
- **Product family:** PAC50
- **Medium:** Dry compressed air

Electrical connection	Process temperature	Housing material	Enclosure rating	Type	Part no.
Round connector M12 x 1, 5-pin	0 °C ... +60 °C, 0 °C +60 °C, 0 °C +60 °C	Housing: polycarbonate, Buttons: TPE, DIN rail mounting: POM, seals: NBR	IP65 / IP67	PAC50-DNC	1083733



- **Measuring range:** -1 bar ... 10 bar
- **Overpressure safety:** 15 bar
- **Accuracy:**  $\leq \pm 1.5\%$  of the span
- **Process connection:** 1/4" NPT female
- **Process temperature:** 0 °C ... +60 °C
- **Output signal:** 2 x PNP/NPN/Push-Pull + 4 mA ... 20 mA / 0 V ... 10 V
- **Connection type:** round connector M12 x 1, 5-pin
- **Product family group:** Pressure sensors
- **Product family:** PAC50
- **Medium:** Dry compressed air

Electrical connection	Process temperature	Housing material	Enclosure rating	Type	Part no.
Round connector M12 x 1, 5-pin	0 °C ... +60 °C, 0 °C +60 °C, 0 °C +60 °C	Housing: polycarbonate, Buttons: TPE, DIN rail mounting: POM, seals: NBR	IP65 / IP67	PAC50-FNC	1083737

- **Measuring range:** -1 bar ... 0 bar
- **Overpressure safety:** 5 bar
- **Accuracy:**  $\leq \pm 1.5\%$  of the span
- **Process connection:** 1/4" NPT female
- **Process temperature:** 0 °C ... +60 °C
- **Output signal:** IO-Link/PNP + PNP/NPN/Push-Pull
- **Connection type:** M12 round connector x 1, 4-pin
- **Product family group:** Pressure sensors
- **Product family:** PAC50
- **Medium:** Dry compressed air

Electrical connection	Process temperature	Housing material	Enclosure rating	Type	Part no.
M12 round connector x 1, 4-pin	0 °C ... +60 °C, 0 °C +60 °C, 0 °C +60 °C	Housing: polycarbonate, Buttons: TPE, DIN rail mounting: POM, seals: NBR	IP65 / IP67	PAC50-AND	1083722

- **Measuring range:** -1 bar ... 1 bar
- **Overpressure safety:** 5 bar
- **Accuracy:**  $\leq \pm 1.5\%$  of the span
- **Process connection:** 1/4" NPT female
- **Process temperature:** 0 °C ... +60 °C
- **Output signal:** IO-Link/PNP + PNP/NPN/Push-Pull
- **Connection type:** M12 round connector x 1, 4-pin
- **Product family group:** Pressure sensors
- **Product family:** PAC50
- **Medium:** Dry compressed air

Electrical connection	Process temperature	Housing material	Enclosure rating	Type	Part no.
M12 round connector x 1, 4-pin	0 °C ... +60 °C, 0 °C +60 °C, 0 °C +60 °C	Housing: polycarbonate, Buttons: TPE, DIN rail mounting: POM, seals: NBR	IP65 / IP67	PAC50-BND	1083726

- **Measuring range:** 0 bar ... 6 bar
- **Overpressure safety:** 15 bar
- **Accuracy:**  $\leq \pm 1.5$  % of the span
- **Process connection:** ¼" NPT female
- **Process temperature:** 0 °C ... +60 °C
- **Output signal:** IO-Link/PNP + PNP/NPN/Push-Pull
- **Connection type:** M12 round connector x 1, 4-pin
- **Product family group:** Pressure sensors
- **Product family:** PAC50
- **Medium:** Dry compressed air

Electrical connection	Process temperature	Housing material	Enclosure rating	Type	Part no.
M12 round connector x 1, 4-pin	0 °C ... +60 °C, 0 °C +60 °C, 0 °C +60 °C	Housing: polycarbonate, Buttons: TPE, DIN rail mounting: POM, seals: NBR	IP65 / IP67	PAC50-CND	1083730

- **Measuring range:** 0 bar ... 10 bar
- **Overpressure safety:** 15 bar
- **Accuracy:**  $\leq \pm 1.5$  % of the span
- **Process connection:** ¼" NPT female
- **Process temperature:** 0 °C ... +60 °C
- **Output signal:** IO-Link/PNP + PNP/NPN/Push-Pull
- **Connection type:** M12 round connector x 1, 4-pin
- **Product family group:** Pressure sensors
- **Product family:** PAC50
- **Medium:** Dry compressed air

Electrical connection	Process temperature	Housing material	Enclosure rating	Type	Part no.
M12 round connector x 1, 4-pin	0 °C ... +60 °C, 0 °C +60 °C, 0 °C +60 °C	Housing: polycarbonate, Buttons: TPE, DIN rail mounting: POM, seals: NBR	IP65 / IP67	PAC50-DND	1083734

- **Measuring range:** -1 bar ... 10 bar
- **Overpressure safety:** 15 bar
- **Accuracy:**  $\leq \pm 1.5$  % of the span
- **Process connection:** ¼" NPT female
- **Process temperature:** 0 °C ... +60 °C
- **Output signal:** IO-Link/PNP + PNP/NPN/Push-Pull
- **Connection type:** M12 round connector x 1, 4-pin
- **Product family group:** Pressure sensors
- **Product family:** PAC50
- **Medium:** Dry compressed air

Electrical connection	Process temperature	Housing material	Enclosure rating	Type	Part no.
M12 round connector x 1, 4-pin	0 °C ... +60 °C, 0 °C +60 °C, 0 °C +60 °C	Housing: polycarbonate, Buttons: TPE, DIN rail mounting: POM, seals: NBR	IP65 / IP67	PAC50-FND	1083738

- **Measuring range:** -1 bar ... 0 bar
- **Overpressure safety:** 5 bar
- **Accuracy:**  $\leq \pm 1.5$  % of the span
- **Process connection:** 1/4" NPT female
- **Process temperature:** 0 °C ... +60 °C
- **Output signal:** IO-Link/PNP + PNP/NPN/Push-Pull + 4 mA ... 20 mA / 0 V ... 10 V
- **Connection type:** round connector M12 x 1, 5-pin
- **Product family group:** Pressure sensors
- **Product family:** PAC50
- **Medium:** Dry compressed air

Electrical connection	Process temperature	Housing material	Enclosure rating	Type	Part no.
Round connector M12 x 1, 5-pin	0 °C ... +60 °C, 0 °C +60 °C, 0 °C +60 °C	Housing: polycarbonate, Buttons: TPE, DIN rail mounting: POM, seals: NBR	IP65 / IP67	PAC50-ANF	1086911

- **Measuring range:** -1 bar ... 1 bar
- **Overpressure safety:** 5 bar
- **Accuracy:**  $\leq \pm 1.5$  % of the span
- **Process connection:** 1/4" NPT female
- **Process temperature:** 0 °C ... +60 °C
- **Output signal:** IO-Link/PNP + PNP/NPN/Push-Pull + 4 mA ... 20 mA / 0 V ... 10 V
- **Connection type:** round connector M12 x 1, 5-pin
- **Product family group:** Pressure sensors
- **Product family:** PAC50
- **Medium:** Dry compressed air

Electrical connection	Process temperature	Housing material	Enclosure rating	Type	Part no.
Round connector M12 x 1, 5-pin	0 °C ... +60 °C, 0 °C +60 °C, 0 °C +60 °C	Housing: polycarbonate, Buttons: TPE, DIN rail mounting: POM, seals: NBR	IP65 / IP67	PAC50-BNF	1086912

- **Measuring range:** 0 bar ... 6 bar
- **Overpressure safety:** 15 bar
- **Accuracy:**  $\leq \pm 1.5$  % of the span
- **Process connection:** 1/4" NPT female
- **Process temperature:** 0 °C ... +60 °C
- **Output signal:** IO-Link/PNP + PNP/NPN/Push-Pull + 4 mA ... 20 mA / 0 V ... 10 V
- **Connection type:** round connector M12 x 1, 5-pin
- **Product family group:** Pressure sensors
- **Product family:** PAC50
- **Medium:** Dry compressed air

Electrical connection	Process temperature	Housing material	Enclosure rating	Type	Part no.
Round connector M12 x 1, 5-pin	0 °C ... +60 °C, 0 °C +60 °C, 0 °C +60 °C	Housing: polycarbonate, Buttons: TPE, DIN rail mounting: POM, seals: NBR	IP65 / IP67	PAC50-CNF	1086913

- **Measuring range:** 0 bar ... 10 bar
- **Overpressure safety:** 15 bar
- **Accuracy:**  $\leq \pm 1.5$  % of the span
- **Process connection:** 1/4" NPT female
- **Process temperature:** 0 °C ... +60 °C
- **Output signal:** IO-Link/PNP + PNP/NPN/Push-Pull + 4 mA ... 20 mA / 0 V ... 10 V
- **Connection type:** round connector M12 x 1, 5-pin
- **Product family group:** Pressure sensors
- **Product family:** PAC50
- **Medium:** Dry compressed air

Electrical connection	Process temperature	Housing material	Enclosure rating	Type	Part no.
Round connector M12 x 1, 5-pin	0 °C ... +60 °C, 0 °C +60 °C, 0 °C +60 °C	Housing: polycarbonate, Buttons: TPE, DIN rail mounting: POM, seals: NBR	IP65 / IP67	PAC50-DNF	1086914

- **Measuring range:** -1 bar ... 10 bar
- **Overpressure safety:** 15 bar
- **Accuracy:**  $\leq \pm 1.5$  % of the span
- **Process connection:** 1/4" NPT female
- **Process temperature:** 0 °C ... +60 °C
- **Output signal:** IO-Link/PNP + PNP/NPN/Push-Pull + 4 mA ... 20 mA / 0 V ... 10 V
- **Connection type:** round connector M12 x 1, 5-pin
- **Product family group:** Pressure sensors
- **Product family:** PAC50
- **Medium:** Dry compressed air

Electrical connection	Process temperature	Housing material	Enclosure rating	Type	Part no.
Round connector M12 x 1, 5-pin	0 °C ... +60 °C, 0 °C +60 °C, 0 °C +60 °C	Housing: polycarbonate, Buttons: TPE, DIN rail mounting: POM, seals: NBR	IP65 / IP67	PAC50-FNF	1086917

## SICK AT A GLANCE

SICK is one of the leading manufacturers of intelligent sensors and sensor solutions for industrial applications. A unique range of products and services creates the perfect basis for controlling processes securely and efficiently, protecting individuals from accidents and preventing damage to the environment.

We have extensive experience in a wide range of industries and understand their processes and requirements. With intelligent sensors, we can deliver exactly what our customers need. In application centers in Europe, Asia and North America, system solutions are tested and optimized in accordance with customer specifications. All this makes us a reliable supplier and development partner.

Comprehensive services complete our offering: SICK LifeTime Services provide support throughout the machine life cycle and ensure safety and productivity.

For us, that is “Sensor Intelligence.”

## WORLDWIDE PRESENCE:

Contacts and other locations –[www.sick.com](http://www.sick.com)